

PRINT & FAX to 951-353-1471

Accurate Index

9860 Indiana Ave., Suite 14
Riverside, CA 92503

(951) 353-2477

(800) 900-TABS

FAX (951) 353-1471

INDEX SPECIFICATIONS

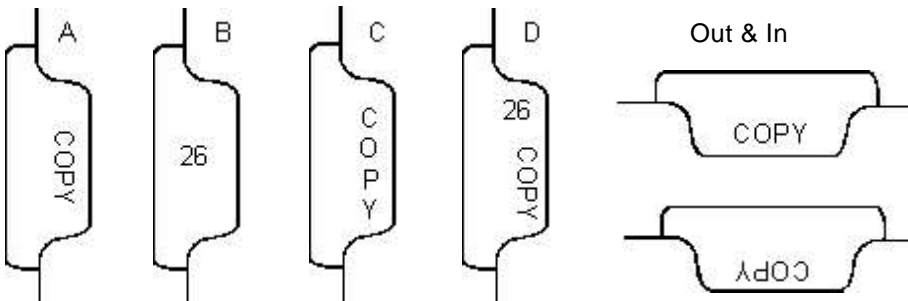
QUOTATION **ORDER**

SOLD TO _____ CONTACT _____	DELIVERY DATE REQUIRED _____ P.O. NO. _____ (Approximate)
TODAY'S DATE _____ PHONE _____	SHIP TO _____
INVOICE TO _____ FAX # _____	ADDRESS _____
ADDRESS _____	CITY _____ STATE _____ ZIP _____
CITY _____ STATE _____ ZIP _____	SHIP UNDER ORDER # _____ VIA _____

REPEAT OF ACCURATE INDEX NO. _____ DATE _____	ALL CAPS UPPER & LOWER
SAMPLE ENCLOSED YES NO	MYLAR® COLOR _____
NO. OF SETS _____ TABS PER SET _____	

Standard Specifications		Variations		Tab Position	TAB COPY
SHEET SIZE	11 x 8½ + ½	Binding Edge	x + Tab Extension ½" 3/8"		
PAPER	100# White	90# Ivory	Other _____		
TAB STYLE	Style A	B	C D Out & In L to R Out & In R to L		
KIND OF TAB	Mylar® Tab	Plain Printed Tab	No Printing Reverse		
COLOR OF TAB	Clear Mylar®	Colored Mylar® _____	Per Sample		
TABS PER BANK	2 3 4 5 6 7 8 9 10 11 12	Number of Banks _____			
TAB PRINTING	One Side	Both Sides			
BODY PRINTING	No	Yes	Front Back # of Changes _____		
INK COLOR	Black	Other	PMS# _____		
REINFORCING	Yes	No			
HOLES	3 Std.	No Holes	Other Number _____ Diameter _____ Outside Centers _____		
GATHERED IN SETS	No	Yes	<input type="checkbox"/> STRAIGHT <input type="checkbox"/> REVERSE		
SLIPSHEET	No	Yes			
SHRINKWRAP	No	Yes	_____ Sets/Pkg.		

TAB STYLE:



TABS ON: RIGHT SIDE LEFT SIDE BOTTOM TOP

Please Circle

OTHER INSTRUCTIONS

Return Artwork

